

TDS 30 M / TDS 50 M

EN

INSTRUCTIONS
CERAMIC HEATER

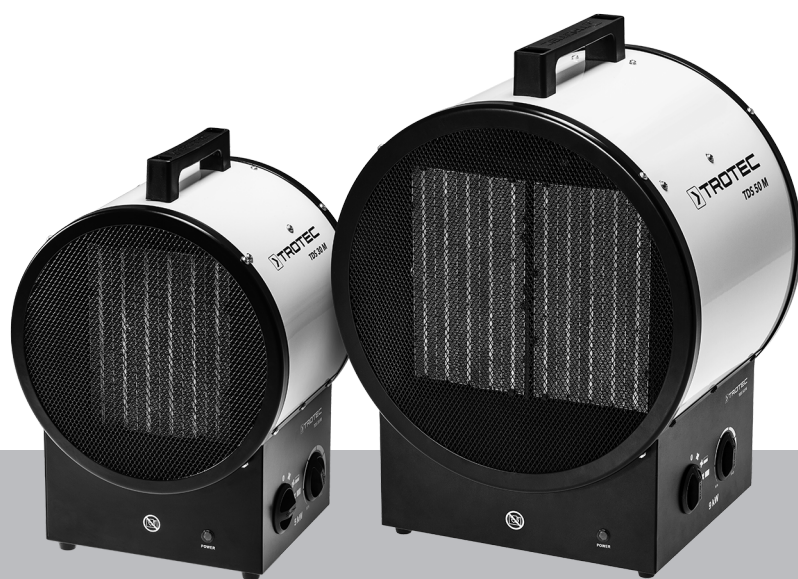


Table of contents

Information on the use of these instructions 2

Safety 2

Information about the device..... 5

Transport and storage..... 5

Assembly and start-up 6

Operation 7

Errors and faults..... 8

Maintenance 9

Technical annex..... 10

Disposal 15

You can download the current version of the instructions and the EU declaration of conformity via the following link:



TDS 30 M



<https://hub.trotec.com/?id=41085>

TDS 50 M



<https://hub.trotec.com/?id=41086>

Information on the use of these instructions

Symbols



Warning of electrical voltage

This symbol indicates dangers to the life and health of persons due to electrical voltage.



Warning of hot surface

This symbol indicates dangers to the life and health of persons due to hot surface.



Warning

This signal word indicates a hazard with an average risk level which, if not avoided, can result in serious injury or death.



Caution

This signal word indicates a hazard with a low risk level which, if not avoided, can result in minor or moderate injury.

Notice

This signal word indicates important information (e.g. material damage), but does not indicate hazards.



Info

Information marked with this symbol helps you to carry out your tasks quickly and safely.



Follow the manual

Information marked with this symbol indicates that the instructions must be observed.

Safety

Read this manual carefully before starting or using the device. Always store the manual in the immediate vicinity of the device or its site of use.



Warning

Read all safety warnings and all instructions.

Failure to follow the warnings and instructions may result in electric shock, fire and/or serious injury.

Save all warnings and instructions for future reference.

This appliance can be used by children aged from 8 years and above and persons with reduced physical, sensory or mental capabilities or lack of experience and knowledge if they have been given supervision or instruction concerning use of the appliance in a safe way and understand the hazards involved.

Children shall not play with the appliance. Cleaning and user maintenance shall not be made by children without supervision.



Warning

Children of less than 3 years should be kept away from the device unless continuously supervised.

Children aged from 3 years and less than 8 years shall only switch on/off the appliance provided that it has been placed or installed in its intended normal operating position and they have been given supervision or instruction concerning use of the appliance in a safe way and understand the hazards involved.

Children aged from 3 years and less than 8 years shall not plug in, regulate and clean the appliance or perform user maintenance.



Warning

Do not use the device in small rooms if persons are present who cannot leave the room independently and who are not under constant supervision.

- Do not use the device in potentially explosive rooms or areas and do not install it there.
- Do not use the device in aggressive atmosphere.
- Place the device in an upright and stable position on horizontal and stable ground.
- Let the device dry out after a wet clean. Do not operate it when wet.
- Do not use the device with wet or damp hands.
- Do not expose the device to directly squirting water.
- Never insert any objects or limbs into the device.
- Do not cover the device during operation.
- Do not remove any safety signs, stickers or labels from the device. Keep all safety signs, stickers and labels in legible condition.
- Do not sit on the device.
- This appliance is not a toy. Keep away from children and animals.
- Check accessories and connection parts for possible damage prior to every use of the device. Do not use any defective devices or device parts.
- Ensure that all electric cables outside of the device are protected from damage (e.g. caused by animals). Never use the device if electric cables or the power connection are damaged!
- The mains connection must correspond to the specifications in the Technical annex.
- Insert the mains plug into a properly fused mains socket.
- Observe the device's power input, cable length and intended use when selecting extensions to the power cable. Completely unroll extension cables. Avoid electrical overload.
- Before carrying out maintenance, care or repair work on the device, remove the mains plug from the mains socket. Hold onto the mains plug while doing so.
- Switch the device off and disconnect the power cable from the mains socket when the device is not in use.
- Do not under any circumstances use the device if you detect damages on the mains plug or power cable. If the power cable is damaged, it must be replaced by the manufacturer, its service agent or similarly qualified persons in order to avoid a hazard. Defective power cables pose a serious health risk!

- When positioning the device, observe the minimum distances from walls and other objects as well as the storage and operating conditions specified in the Technical annex.
- Keep a safety distance of at least 1 m between the air inlet and the air outlet of the device and all combustible materials such as textiles, curtains, beds and sofas.
- Make sure that the air inlet and outlet are not obstructed.
- Do not place the device on combustible ground.
- Only use original spare parts, for otherwise safe and functional operation cannot be ensured.
- Allow the device to cool down before transport and/or maintenance work.
- Do not use the device if it has been dropped or if it shows visible signs of damage.
- Do not use the heating device together with a programming device, a timer, a separate remote control system or any other device that automatically switches the heating device on, as there is a risk of fire if the heating device is covered or incorrectly positioned.

Intended use

Only use the device for heating closed rooms whilst adhering to the technical data.

Intended use comprises heating the air in:

- Construction trailers
- Garages
- Market stalls
- Workshops
- Gastronomy sector
- Warehouses and halls
- Shipyards

Any use other than the intended use is regarded as misuse.

Reasonably foreseeable misuse

- Do not place the device on wet or flooded ground.
- Do not place any objects, e.g. clothing, on the device.
- Do not use this device in the vicinity of fuel, solvents, varnishes or other easily inflammable vapours or in rooms where these substances are stored.
- Do not use the device out of doors.
- Do not use the device for heating vehicles.
- Never immerse the device in water.
- Never heat rooms with a cubature of less than 4 m³. Risk of overheating!
- Do not make any unauthorised modifications, alterations or structural changes to the device.


Personnel qualification

People who use this device must:

- be aware of the dangers that occur when working with electric devices in damp areas.
- have read and understood the instructions, especially the Safety chapter.

Maintenance tasks which require the housing to be opened must only be carried out by specialist electrical companies or by the manufacturer.

Symbols on the device

Symbols	Meaning
	This symbol located on the device indicates that it is prohibited to place objects (such as towels, clothes etc.) above or directly in front of the device. In order to avoid overheating and fire hazards, the heater must not be covered.

Residual risks



Warning of electrical voltage

Work on the electrical components must only be carried out by an authorised specialist company!



Warning of electrical voltage

Before any work on the device, remove the mains plug from the mains socket!
Do not touch the mains plug with wet or damp hands. Hold onto the mains plug while pulling the power cable out of the mains socket.



Warning of electrical voltage

Risk of electric shock!
The device is not protected against water. There is a risk of electric shock! Never use the device in areas where dripping, spraying or running water can enter the device! Never immerse the device in water!



Warning of hot surface

Parts of this appliance can become very hot and cause burns. Particular attention is to be paid when there are children or vulnerable persons present!



Warning

Improper handling entails a risk of burning and electric shock.
Only use the device as intended!



Warning

Dangers can occur at the device when it is used by untrained people in an unprofessional or improper way! Observe the personnel qualifications!



Warning

The device is not a toy and does not belong in the hands of children.



Warning

Risk of suffocation!
Do not leave the packaging lying around. Children may use it as a dangerous toy.



Warning

Improper installation entails a risk of fire.
Do not place the device on combustible ground. Do not place the device on high-pile carpets. Do not use the device without the feet attached.



Warning

In order to avoid overheating and fire hazards, the device must not be covered!

Behaviour in the event of an emergency

1. Switch the device off.
2. Disconnect the device from the mains: Hold onto the mains plug while pulling the power cable out of the mains socket.
3. Do not reconnect a defective device to the mains.

Overheating protection

The device is provided with a safety thermostat which is activated by overheating of the device (when exceeding the operating temperature).

Once the safety thermostat has switched itself on, the heating will be turned off. The fan keeps running.

When the device has cooled down sufficiently, the heating will be switched back on.

Investigate the cause of overheating.

If the safety thermostat does not switch in the event of overheating, the overheating protection will be tripped. In that case the device switches off completely. If so, please contact the customer service to have the overheating protection replaced.

Information about the device

Device description

The ceramic heater serves to generate and distribute warm air, e.g. in interior spaces.

The device generates heat by means of a ceramic heating element. The air surrounding the ceramic heating element is heated. The heated air is blown into the room by a fan.

The device comes with an integrated thermostat and so generates a constant flow of warm air.

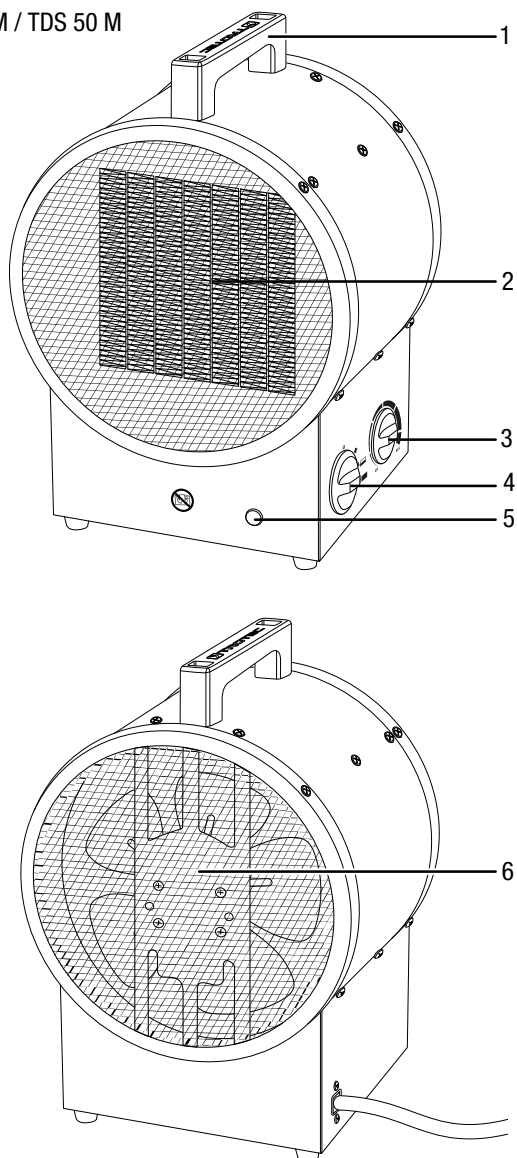
Fan operation without heating function is also possible.

The device is not protected against water (IP20).

The device TDS 50 M is additionally equipped with a rundown control for the fan after switch-off of the device.

Device depiction

TDS 30 M / TDS 50 M



No.	Designation
1	transport handle
2	air outlet
3	rotary switch room thermostat
4	selection switch ventilation and heating levels
5	operating light
6	air inlet

Transport and storage

Notice

If you store or transport the device improperly, the device may be damaged.

Note the information regarding transport and storage of the device.

Transport

Before transporting the device, observe the following:

- Switch the device off.
- Hold onto the mains plug while pulling the power cable out of the mains socket.
- Do not use the power cable to drag the device.
- Allow the device to cool down sufficiently.

Storage

Before storing the device, proceed as follows:

- Hold onto the mains plug while pulling the power cable out of the mains socket.
- Allow the device to cool down sufficiently.

When the device is not being used, observe the following storage conditions:

- Store the device in a dry location and protected from frost and heat.
- Store the device in an upright position where it is protected from dust and direct sunlight.
- If required, use a cover to protect the device from invasive dust.
- Place no further devices or objects on top of the device to prevent it from being damaged.

Assembly and start-up

Scope of delivery

- 1 x Device
- 1 x Transport handle (TDS 50 M only)
- 2 x Screw (TDS 50 M only)
- 2 x Washer (TDS 50 M only)
- 1 x Manual

Unpacking the device

1. Open the cardboard box and take the device out.
2. Completely remove the packaging.
3. Fully unwind the power cable. Make sure that the power cable is not damaged and that you do not damage it during unwinding.

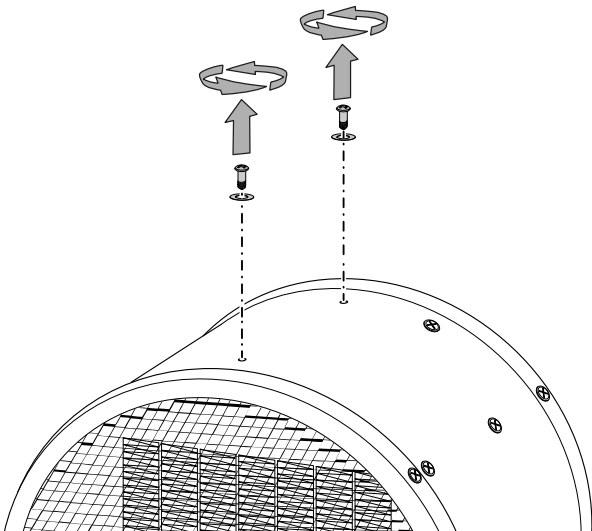
Assembly

Use tools suitable for the intended task.

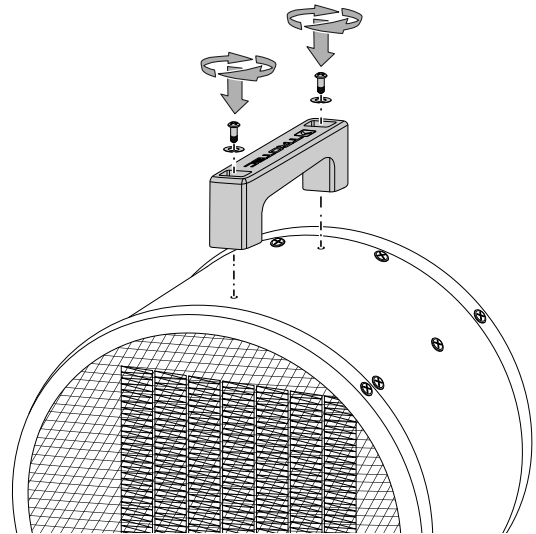
Mounting the transport handle

The transport handle of the device TDS 30 M is preassembled. Prior to initial start-up, the transport handle must be attached to the device TDS 50 M.

1. Loosen the two screws and the two washers from the top of the housing.



2. Use the screws and washers to mount the transport handle.



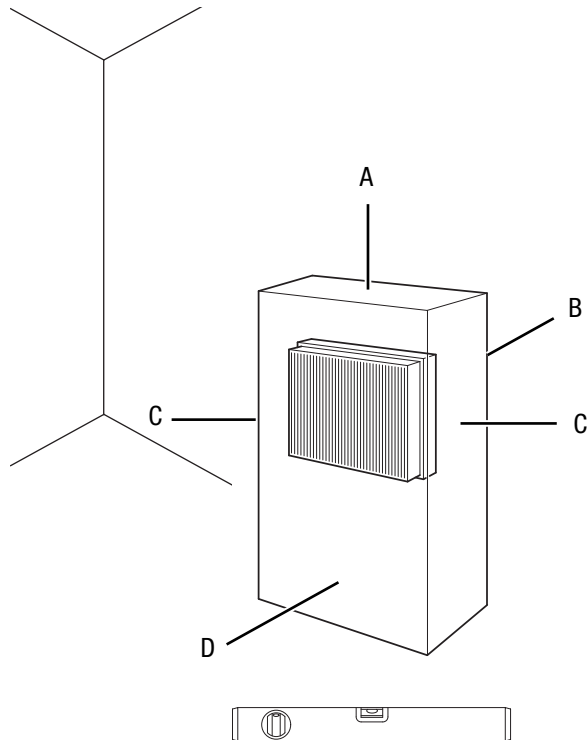
Start-up



Info

Odours might arise upon initial start-up or after a longer period of non-use.

When positioning the device, observe the minimum distance from walls or other objects as described in the chapter Technical annex.



- Before starting the device, check the condition of the power cable. If there are doubts as to their sound condition, contact the customer service.
- Set the device up in an upright and stable position.

- Do not create tripping hazards when laying the power cable or other electric cables, especially when positioning the device in the middle of the room. Use cable bridges.
- Make sure that extension cables are completely unrolled.
- Make sure that no curtains or other objects interfere with the air flow.
- Make sure that the device cannot come into contact with moisture or water.

Connecting the power cable

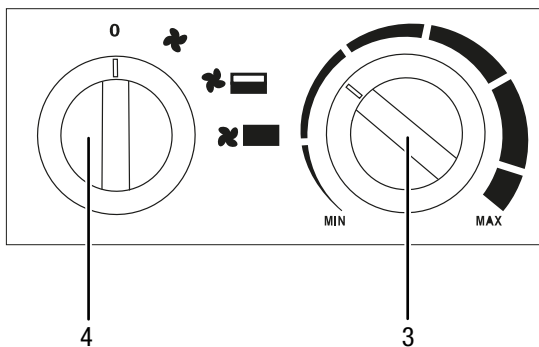
- Insert the mains plug into a properly fused mains socket.
- Make sure that the power cable is guided along the back of the device. Never guide the power cable along the front of the device!

Operation

The procedure is identical for the devices TDS 30 M / TDS 50 M.

- Avoid open doors and windows.

Control panel



No.	Designation
3	rotary switch room thermostat
4	selection switch ventilation and heating levels 0 : OFF : cold air / ventilation : heating level 1 : heating level 2

Switching the device on

Once you have completely installed the device as described in the chapter Assembly and start-up, you can switch it on.



Info

The device will not be switched on until the room temperature falls below the temperature set at the room thermostat, except when running in cold setting (ventilation only).

1. Set the selection switch (4) to the desired heating level.

Setting the room thermostat

1. Select the desired temperature via the stepless rotary switch (3) of the room thermostat.

The room thermostat controls the room temperature automatically:

- When the set value is exceeded, the heating switches off. The fan keeps running until the device is switched off.
- When falling below the set value, the heating automatically switches back on in addition to the running fan.



Info

The desired room temperature should be higher than the current room temperature.

Shutdown



Warning of electrical voltage

Do not touch the mains plug with wet or damp hands.

- Turn the rotary switch (3) of the room thermostat to position **MIN**.
- Turn the selection switch (4) to the position (ventilation only).
- Keep the fan running for 3 minutes before switching the device off.
- Switch off the device by setting the selector switch (4) to position **0**.
- Hold onto the mains plug while pulling the power cable out of the mains socket.
- Allow the device to cool down completely.
- Clean the device according to the Maintenance chapter.
- Store the device according to the Transport and storage chapter.

Errors and faults



Warning of electrical voltage

Tasks which require the device to be opened must only be carried out by authorised specialist companies or by the manufacturer.

Notice

Wait for at least 3 minutes after maintenance and repair work. Only then switch the device back on.

The device has been checked for proper functioning several times during production. If malfunctions occur nonetheless, check the device according to the following list.

The device does not start:

- Check the power connection.
- Check the power cable and mains plug for damage. If you notice damages, do not try to take the device back into operation.
If the supply cord is damaged, it must be replaced by the manufacturer, its service agent or similarly qualified persons in order to avoid a hazard.
- Check the on-site fusing.
- Check the room temperature. The room thermostat may have switched off, because the desired room temperature has been reached.
- The motor might be defective. Have a defective motor replaced by a specialist electrical company.
- The room thermostat might be defective. Have a defective room thermostat replaced by a specialist electrical company.
- The overheating protection may have been tripped. Have a specialist electrical company or Trotec check the electrics and replace the overheating protection.

The device is switched on, the fan is operating, the heating is not:

- Check whether a heating level is selected.
- Check the room temperature. The room thermostat may have switched off, because the desired room temperature has been reached.
- Check whether the overheating protection has tripped (see chapter Safety).
- The heating resistor might have blown. Have a defective heating resistor replaced by a specialist electrical company.
- The room thermostat might be defective. Have a defective room thermostat replaced by a specialist electrical company.

The fan is not running:

- Check whether the device is switched on.
- Check the power connection.
- Check the power cable and mains plug for damages.
- The fan motor might be defective. Have a defective fan motor replaced by a specialist electrical company.

The air current is reduced:

- Check the air inlet and outlet. Make sure that air inlet and outlet are not obstructed. Remove any dirt. Observe the minimum distance from walls or other objects according to the technical data.

The device is loud or vibrates:

- Check whether the device is set up in a stable and upright position.

The device still does not operate correctly after these checks:

Please contact the customer service. If necessary, bring the device to an authorised specialist electrical company or to the manufacturer for repair.

Maintenance

Maintenance intervals

Maintenance and care interval	before every start-up	as needed	at least every 2 weeks	at least every 4 weeks	at least every 6 months	at least annually
Check air inlets and outlets for dirt and foreign objects and clean if necessary	X					
Check air inlet grid(s) for dirt and foreign objects and clean if necessary	X		X			
Clean the exterior		X				X
Visually check the inside of the device for dirt		X		X		
Check for damage	X					
Check the attachment screws		X				X
Test run						X

Maintenance and care log

Device type:

Device number:

Maintenance and care interval	1	2	3	4	5	6	7	8	9	10	11	12	13	14	15	16
Check air inlets and outlets for dirt and foreign objects and clean if necessary																
Check air inlet grid(s) for dirt and foreign objects and clean if necessary																
Clean the exterior																
Visually check the inside of the device for dirt																
Check for damage																
Check the attachment screws																
Test run																
Comments																

1. Date:	2. Date:	3. Date:	4. Date:
Signature:	Signature:	Signature:	Signature:
5. Date:	6. Date:	7. Date:	8. Date:
Signature:	Signature:	Signature:	Signature:
9. Date:	10. Date:	11. Date:	12. Date:
Signature:	Signature:	Signature:	Signature:
13. Date:	14. Date:	15. Date:	16. Date:
Signature:	Signature:	Signature:	Signature:

Activities required before starting maintenance



Warning of electrical voltage

Do not touch the mains plug with wet or damp hands.

- Switch the device off.
- Hold onto the mains plug while pulling the power cable out of the mains socket.
- Allow the device to cool down completely.



Warning of electrical voltage

Tasks which require the device to be opened must only be carried out by authorised specialist companies or by the manufacturer.

Cleaning the housing



Warning of electrical voltage

Never immerse the device in water!

Clean the housing with a soft, damp and lint-free cloth. Make sure that no moisture enters the housing. Protect electrical components from moisture. Do not use any aggressive cleaning agents such as cleaning sprays, solvents, alcohol-based or abrasive cleaners to dampen the cloth.

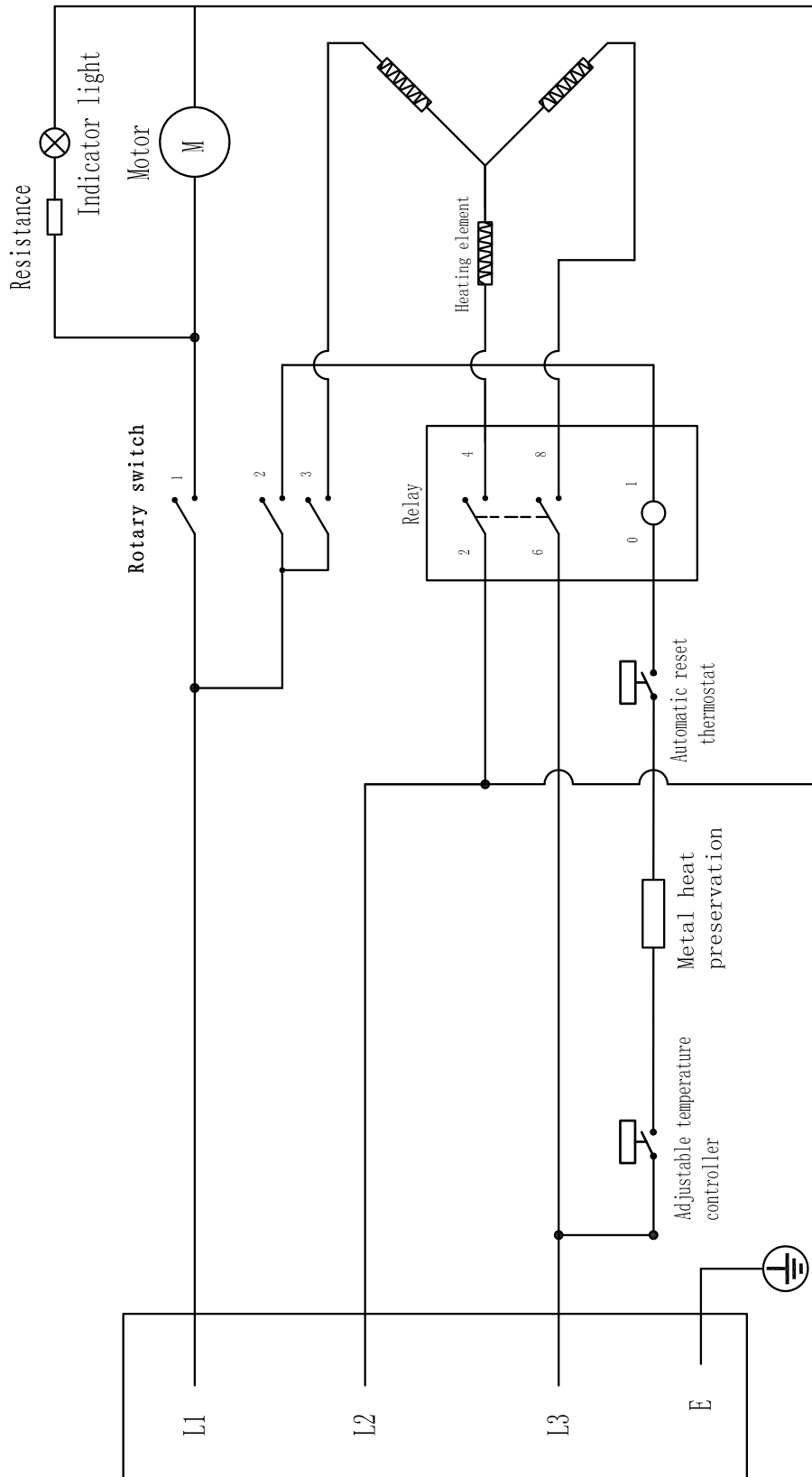
Wipe the housing dry after cleaning.

Technical annex

Technical data

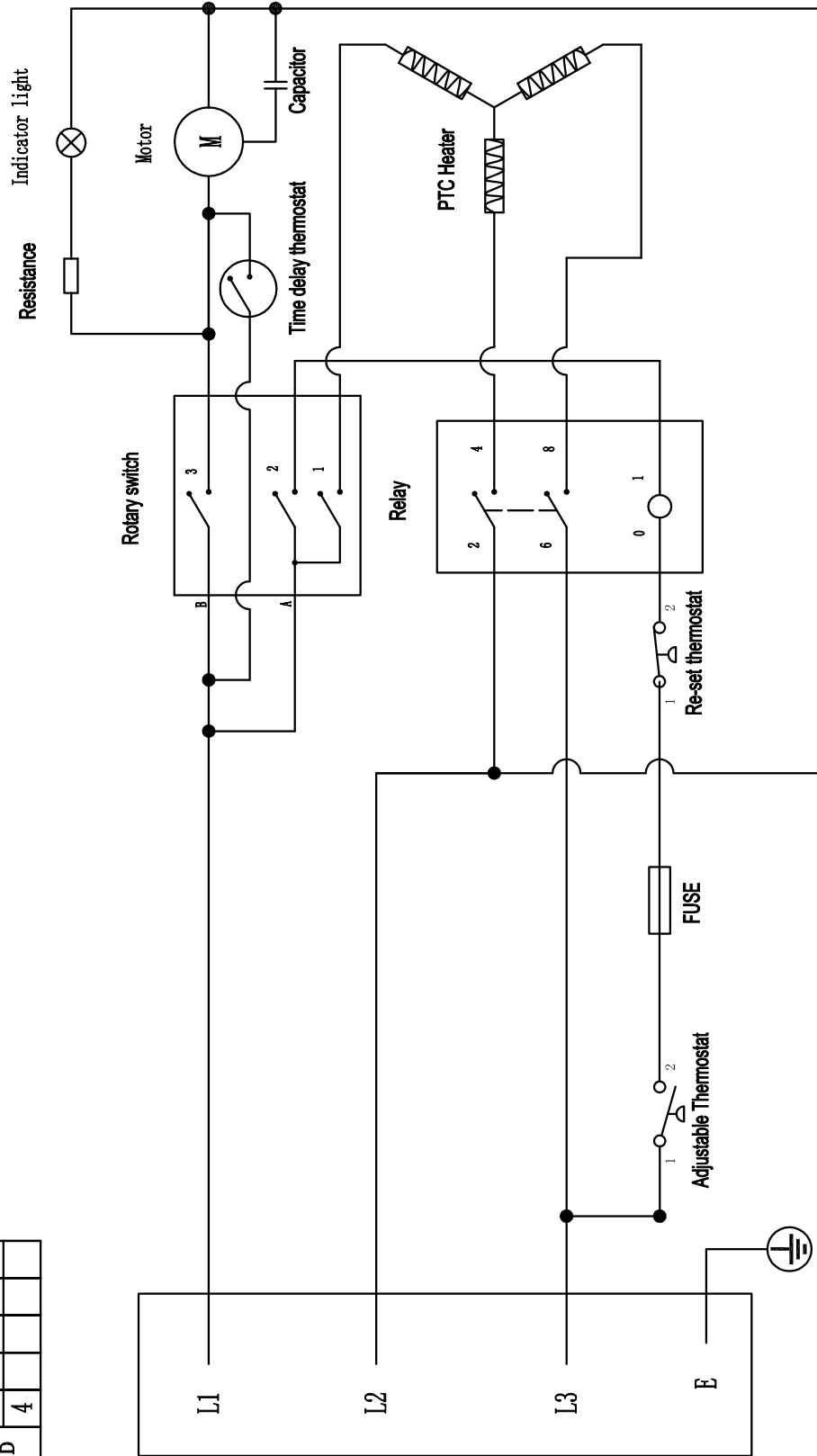
Parameter	Value	
Model	TDS 30 M	TDS 50 M
Heating capacity		
level 1:	50 W	80 W
level 2:	3300 W	6000 W
level 3:	5000 W	9000 W
Air flow rate	575 m ³ /h	1180 m ³ /h
Operating range	-15 °C to +25 °C	-15 °C to +25 °C
Mains connection	380–400 V / 50 Hz	380–400 V / 50 Hz
Max. power consumption	5000 W	9000 W
Nominal current consumption	7.6 A	13.7 A
Fusing	10 A	16 A
Plug type	CEE 16 A, 5-pin	CEE 16 A, 5-pin
Cable length	1.15 m	1.15 m
Sound pressure level (at a distance of 1 m)	53 dB(A)	53 dB(A)
Overheating protection	98 °C	121 °C
Type of protection	IP20	IP20
Dimensions (depth x width x height)	250 x 205 x 360 mm	347 x 267 x 455 mm
Minimum distance to walls and other objects		
top (A):	250 cm	250 cm
rear (B):	150 cm	150 cm
sides (C):	50 cm	50 cm
front (D):	200 cm	200 cm
Weight	4 kg	7 kg

Circuit diagram TDS 30 M



Circuit diagram TDS 50 M

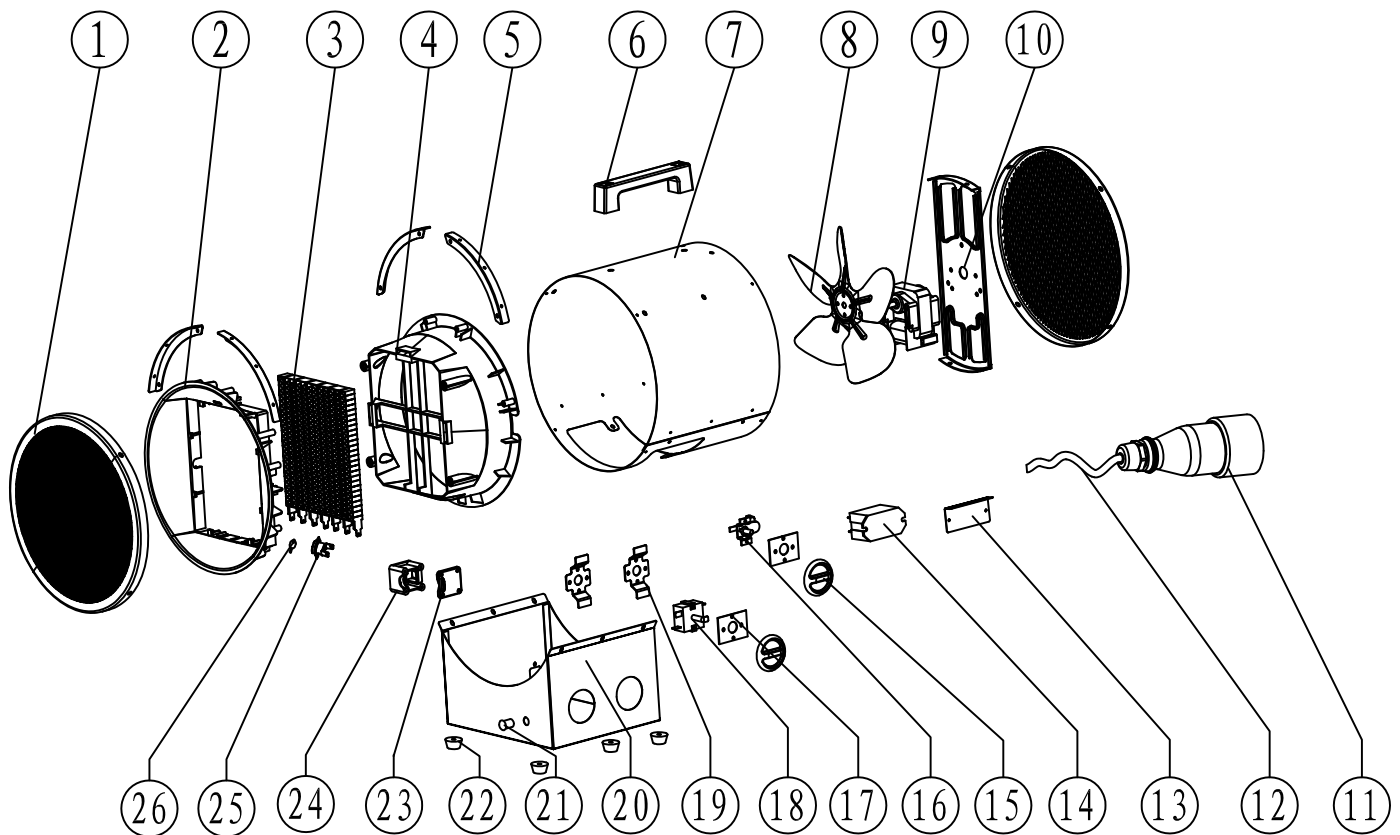
Rotary switch		0			1			2			3		
		1	2	3	1	2	3	1	2	3	1	2	3
A													
B													



Overview of spare parts and spare parts list TDS 30 M

Note!

The position numbers of the spare parts differ from those describing the positions of the components mentioned in these instructions.



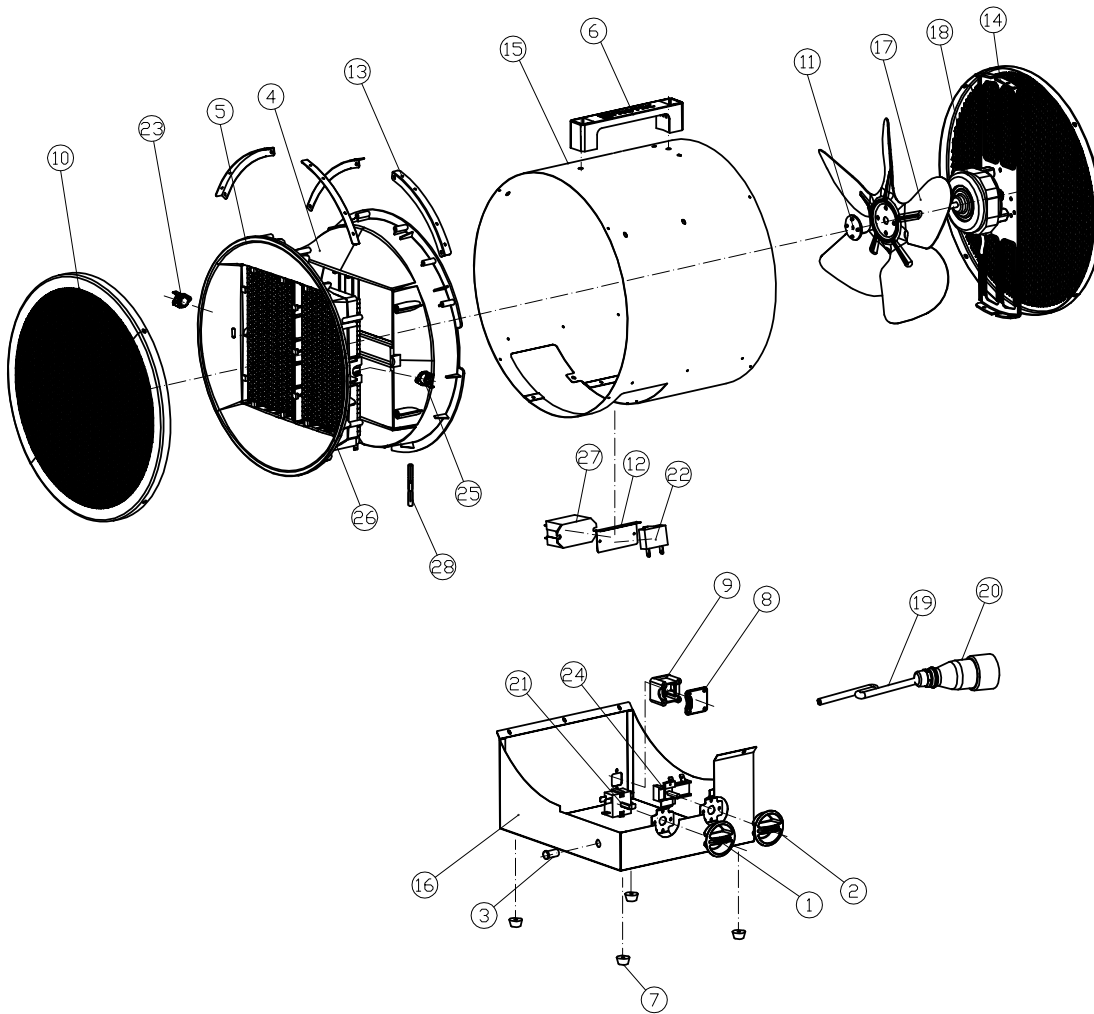
No.	Spare part	Specifications	QTY
1	Back grill	SPCC	1
2	Air outlet	PA66+30%GF	1
3	PTC	5000W	1
4	Air flue	PA66+30%GF	1
5	Plate	SECC	1
6	Handle	PA	1
7	Out casing	SPCC	1
8	Fan	Ø 200	1
9	Motor	YJ61-25	1
10	Motor plate	SECC	1
11	Plug	240/415V 16A	1
12	Power cord	H07RN-F 4G 2.5 mm ²	1
13	Relay holder	SECC	1
14	Relay	25A	1

No.	Spare part	Specifications	QTY
15	Knob	PA	1
16	Thermostat	YT-WN16	1
17	Mica plate	Mica	1
18	Switch	16A	1
19	Control box of spot welding	SPCC	1
20	Control box	SPCC	1
21	Lamp cover	PC	1
22	Feet	PA	1
23	Pressure plate cover	ABS	1
24	Pressure plate seat	ABS	1
25	Self-resetting thermostat	16A	1
26	Metal heat preservation	F00 16A 98 °C	

Overview of spare parts and spare parts list TDS 50 M

Note!

The position numbers of the spare parts differ from those describing the positions of the components mentioned in these instructions.



No.	Spare part	Specifications	QTY
1	Switch knob	PA	1
2	Temperature control knob	PA	1
3	Chimney	PC/186C	1
4	Air duct	PA66+30%GF	1
5	Out of the wind	PA66+30%GF V0	1
6	The handle	PA	1
7	MATS	PP	1
8	Line pressing board	PP	1
9	Line pressing plate	PP	1
10	Net	SPCC	1
11	The maple leaves clamp	PA	1
12	Relay bracket	SECC	1
13	Air duct stent	SECC	1
14	The motor bracket	SECC	1
15	cylindrical	SECC	1

No.	Spare part	Specifications	QTY
16	The base	SECC	1
17	The blades	Ø 300mm 0.7mm AL	1
18	The motor	AC 380-400V 50 Hz	1
19	The power cord	H07RN-F 4G 2.5 mm ² * 1.6m	1
20	The plug	240/415V 16A	1
21	Rotary switch	XK233-4/250V 15A	1
22	capacitance	CBB61/0.8µF 50/60Hz 500V	1
23	Delay time limit of the warm	KSD301/250V/10A/K45	1
24	The thermostat	250V/16A/85 °C/T250	1
25	Limit the warm	KSD301-V/250V/16A/70 °C	1
26	PTC	220-240V 50Hz 4500W	1
27	Relay	AC400V 25A T70 10E4	1
28	Fuse	AC250V 10A TF=121 °C	1

Disposal

Always dispose of packing materials in an environmentally friendly manner and in accordance with the applicable local disposal regulations.



The icon with the crossed-out waste bin on waste electrical or electronic equipment is taken from Directive 2012/19/EU. It states that this device must not be disposed of with the household waste at the end of its life. You will find collection points for free return of waste electrical and electronic equipment in your vicinity. The addresses can be obtained from your municipality or local administration. You can also find out about other return options that apply for many EU countries on the website <https://hub.trotec.com/?id=45090>. Otherwise, please contact an official recycling centre for electronic and electrical equipment authorised for your country.

The separate collection of waste electrical and electronic equipment aims to enable the re-use, recycling and other forms of recovery of waste equipment as well as to prevent negative effects for the environment and human health caused by the disposal of hazardous substances potentially contained in the equipment.

Only for United Kingdom

According to Waste Electrical and Electronic Equipment Regulations 2013 (SI 2013/3113) (as amended) devices that are no longer usable must be collected separately and disposed of in an environmentally friendly manner.

Trotec GmbH

Grebener Str. 7
D-52525 Heinsberg

☎ +49 2452 962-400

☎ +49 2452 962-200

✉ info@trotec.com

www.trotec.com